

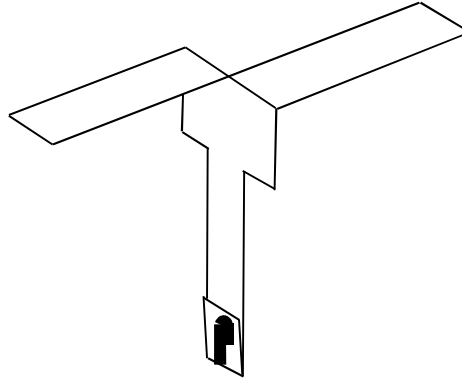


Bathurst Aero Club

School Holiday Activity - Helicopter

Materials:

- Paper
- Scissors
- Paper Clip



Instructions:

- Cut (solid line) and fold (dotted line) along the lines of the helicopter sheet
- Drop the helicopter and watch it spin
- If you make variations to the helicopter how does it change the flight? E.g. what if you increase the weight by putting on extra paper clips or change the direction of the rotors?

Why Does It Spin?

As the helicopter falls air pushes up against the helicopter rotors. This action also bends the rotors a little causing some of that upwards push (thrust) to become a horizontal (sideways) push (thrust). Because there are two opposite rotors getting the same push the opposing thrusts cause the helicopter to spin.

